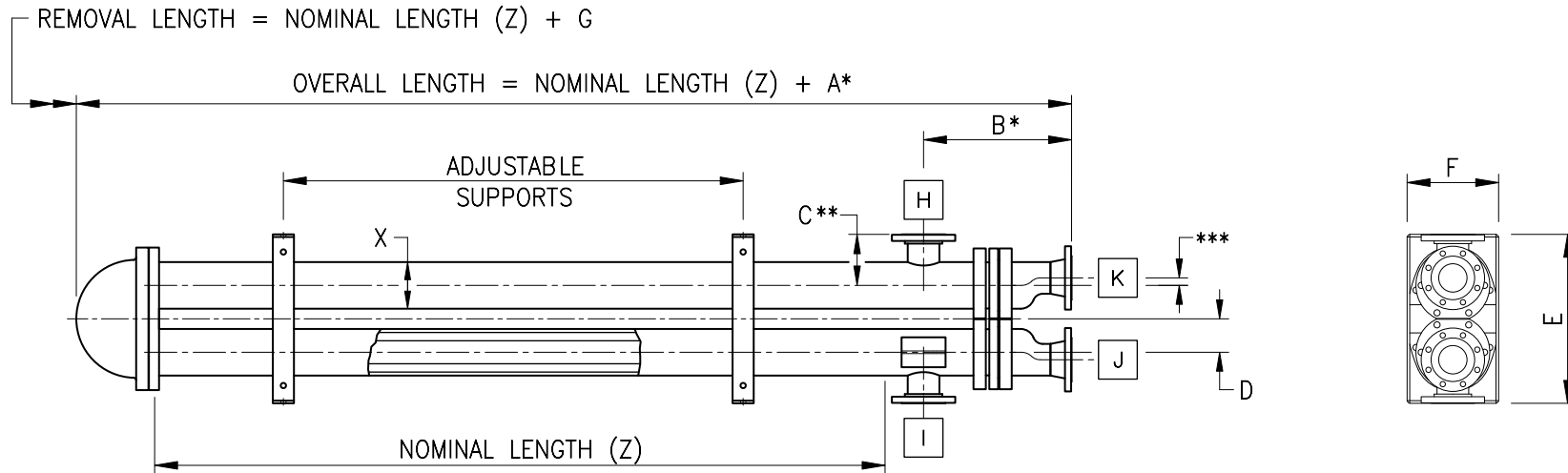


THE HDDP CLOSURE OFFERS SEPARATE SEALING SURFACES WITH COMMON BOLTING



* Dimension based on largest 150# RFWN tube connection

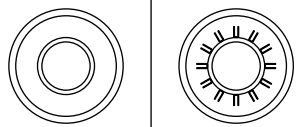
** Dimension based on largest 150# RFWN shell connection

*** This dimension is variable based on tube connection size (J & K)

SHELL SIZE	A *	B *	C **	D	E	F	G	SHELL CONNECTION	TUBE CONNECTION
								H & I	J & K
2	24.00"	13.00"	5.00"	2.63"	13.50"	8.00"	10.00"	up to 2"	up to 2"
3	26.00"	15.00"	5.50"	2.63"	13.50"	8.00"	12.00"	up to 3"	up to 3"
4	30.00"	16.00"	6.00"	3.00"	16.00"	10.00"	12.00"	up to 4"	up to 4"
5	36.00"	20.00"	7.25"	4.75"	24.00"	13.00"	14.00"	up to 5"	up to 5"
6	36.00"	20.00"	7.25"	4.75"	24.00"	13.00"	16.00"	up to 6"	up to 6"
8	40.00"	22.00"	9.00"	6.00"	30.00"	18.00"	18.00"	up to 8"	up to 8"

DOUBLE PIPE

DIMENSIONS ARE APPROXIMATE AND FOR PRELIMINARY USE ONLY, NOT FOR FINAL LAYOUT.



DOUBLE PIPE MODEL DESCRIPTION:

W - X - Y - Z - HDDP

W = NOMINAL DIAMETER - OUTER PIPE Y = NUMBER OF FINS
 X = NOMINAL DIAMETER - INNER PIPE Z = NOMINAL LENGTH
 DP = DOUBLE PIPE DESIGN w/ HEAVY DUTY CLOSURE

SPEC'S:

ALCO PRODUCTS



Division of Nitram Energy, Inc.
 401 US HIGHWAY 281, WICHITA FALLS, TEXAS
 PHONE: (940) 723-6366 FAX: (940) 723-9448

ALCOTWIN HAIRPIN HEAT EXCHANGER
 MODEL: